

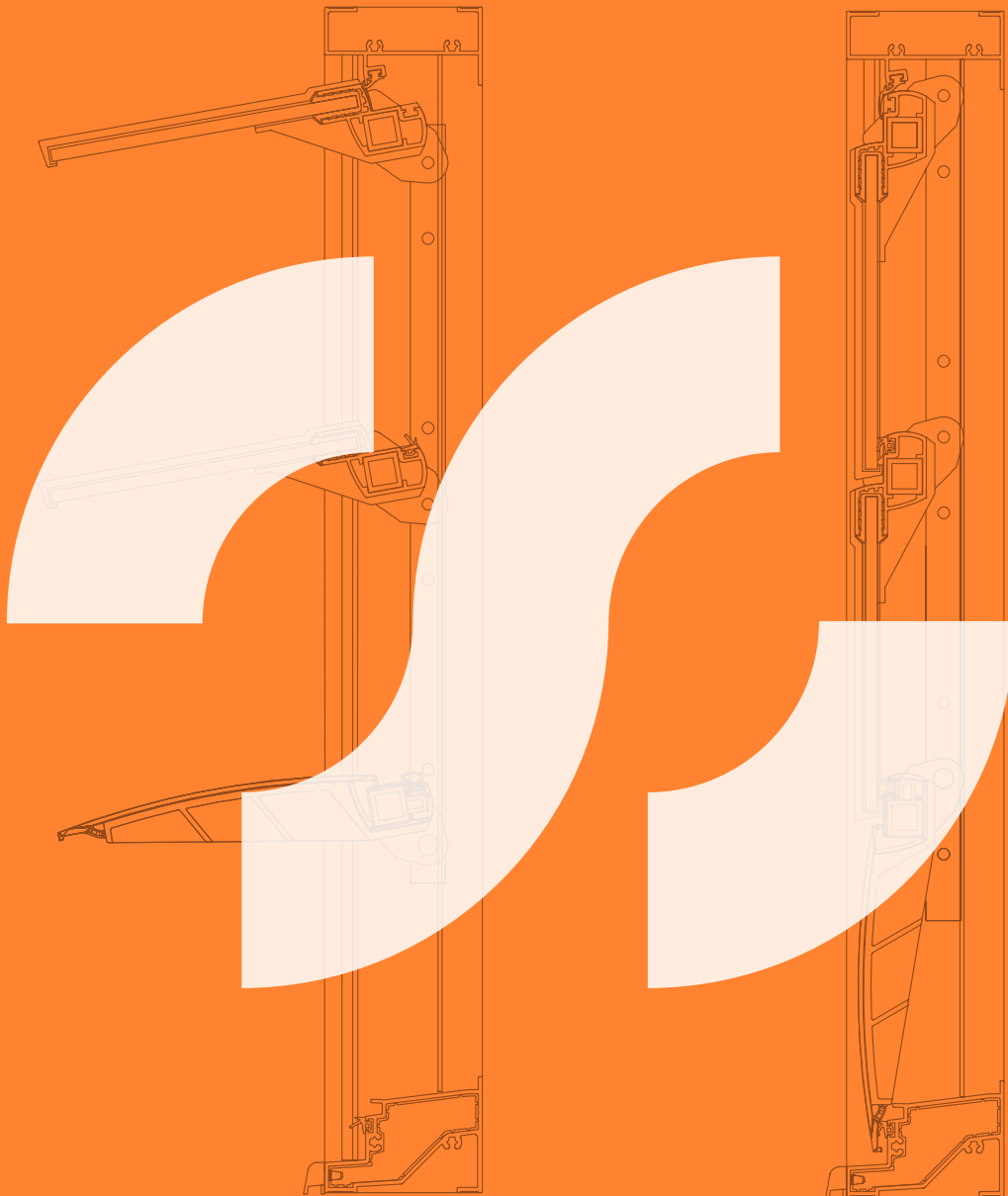
SJ Jalousie

The original Safetyline Jalousie louvre window

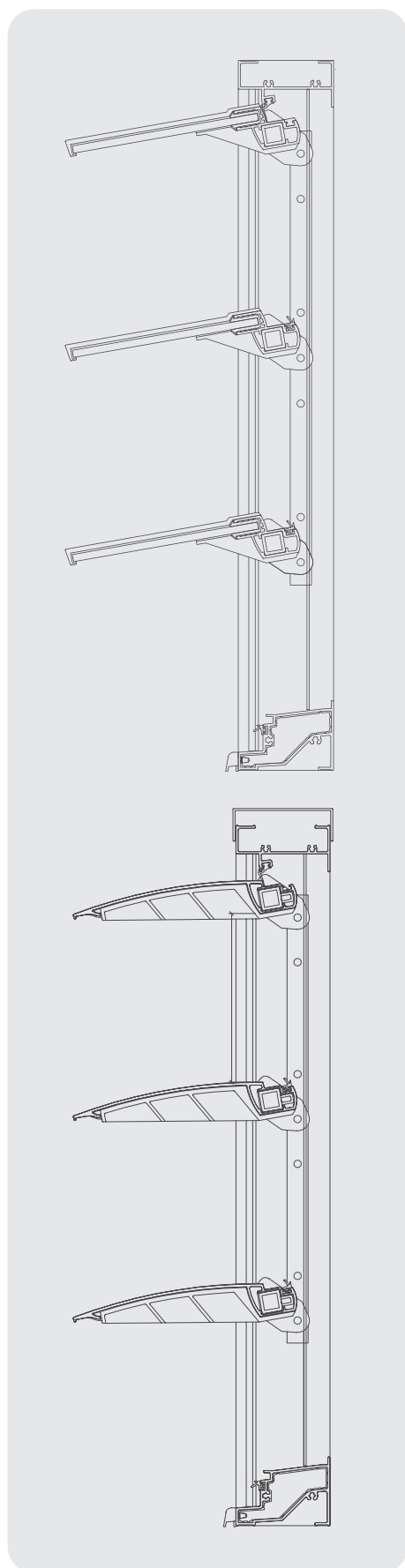
SJ Jalousie is the original performance louvre window by Safetyline Jalousie. Available in Australia since 2009, the versatile system has become well-known for overcoming the design, safety, and security limitations of conventional louvre windows.

With extra-wide spans up to 1.4 metres, SJ Jalousie maximises natural ventilation and offers flexibility in design options. Inbuilt security provides peace of mind even when louvres are left open, and weatherproof seals maximize the energy efficiency of air conditioners.

Prefabricated using the highest quality, sustainable, and low-maintenance materials, SJ Jalousie is a future-proof ventilation solution for any building type.



FEATURES



Spans	<ul style="list-style-type: none"> • Total width up to 1400mm.
Frames	<ul style="list-style-type: none"> • Extremely durable, high quality 63mm module square cut aluminium frame assembled by stainless steel screws; • The aluminium components are available in three surface finishes - powder coated, high performance powder coated or anodized.
Louvres	<ul style="list-style-type: none"> • Louvres are available in glass or aluminium with nylon end caps; • Any type of commercially available glass can be used in 6mm, 6.38mm or 6.5mm thickness – including laminate, low e, tinted, frosted, acoustic and vacuum insulated glass • Louvre blade centres are 135mm.
Security	<ul style="list-style-type: none"> • Inbuilt & impenetrable; • Robust aluminium louvre bearers are built into the frame- Even if the glass is broken the system remains secure.
Seals	<ul style="list-style-type: none"> • Sealed on all 4 sides with Marine Grade EPDM seals on each horizontal transom and gaskets on the upright sections.
Screens	<ul style="list-style-type: none"> • Insect screens are fitted internally within a rebate section of the window frame, and are easily removed for cleaning; • Available in fibreglass, aluminium or stainless steel mesh.
Installation	<ul style="list-style-type: none"> • No assembly required - Supplied as a complete system, framed and glazed; • Easy and fast installation using screws through the prepunched fixing holes in the upright sections.
Operation	<ul style="list-style-type: none"> • Manual operator options include a cam driven lever mechanism or turn handles which open the louvres to 80° and can be fitted on the left or right hand side of the frame; • High level louvres can be operated with a winding mechanism and detachable map rod; • Louvres can be motor controlled using a 12V DC or 24V DC Actuator with wall switch and/or hand held remote; • Motorised louvres can be integrated with climate control and Building Management Systems.
Key Performance Ratings	<ul style="list-style-type: none"> • Ultimate Limit State (ULS) – up to 9525pa • Serviceability Limit State (SLS) – up to 4000pa • Water Penetration Resistance – 800pa • Air Infiltration – tested to 0.12L/Sqm/S • Acoustic – 35RW • Impact Load – tested to 550kg • Meets fall prevention and balustrade requirements • Windborne Debris – impact test passed type B (for cyclones)